

4

3

2

1

THIS DRAWING IS UNPUBLISHED.

RELEASED FOR PUBLICATION

20

© COPYRIGHT 20

ALL RIGHTS RESERVED.

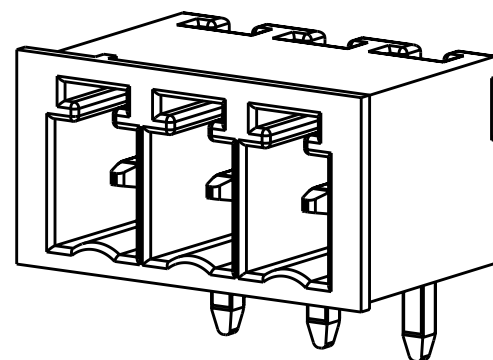
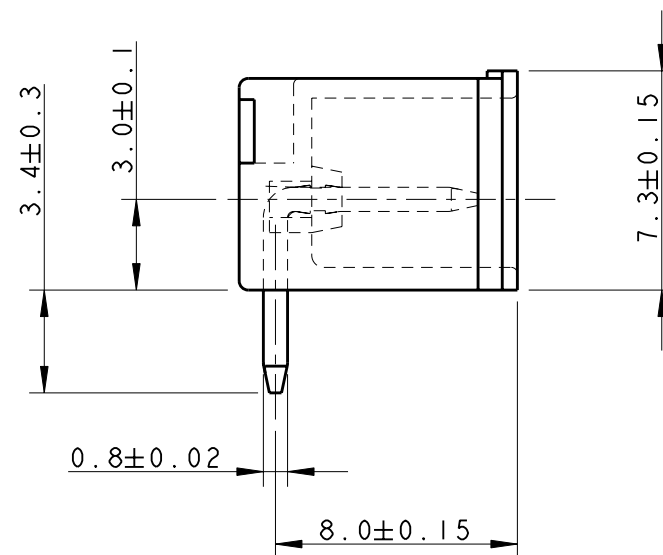
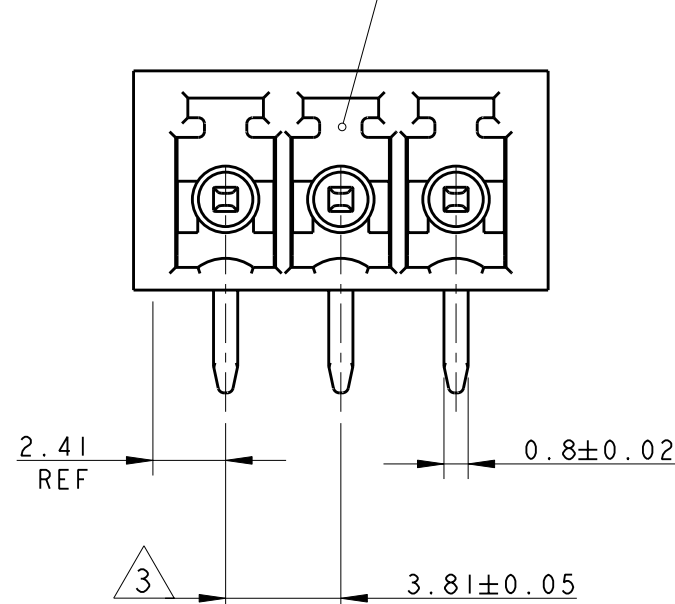
LOC
FT

DIST
0

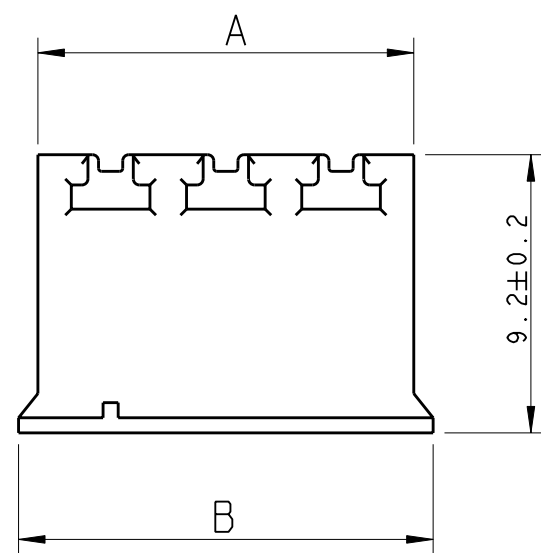
REVISIONS

P	LTR	DESCRIPTION	DATE	DWN	APVD
	CI	REVISED PER ECO-11-005294	06APR2011	RK	HMR

POLARIZATION KEY SLOT



284513-3 AS SHOWN



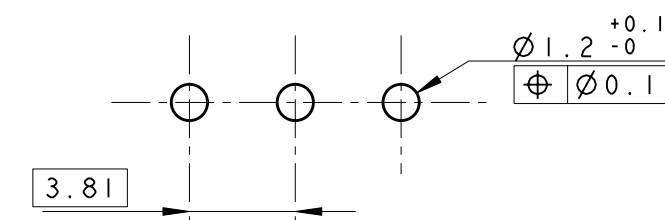
1 MATERIALS AND FINISH
 HOUSING : PA 6.6, UL 94-V0, COLOR GREEN
 TERMINAL : PHOSPHOR BRONZE, TIN PLATED

2 SUITABLE FOR 1.6-2.4 mm. PC BOARD THICKNESS

3 NOT CUMULATIVE TOLERANCE

97.54	96.26	25	2-284513-5
93.73	92.45	24	2-284513-4
89.92	88.64	23	2-284513-3
86.11	84.83	22	2-284513-2
82.30	81.02	21	2-284513-1
78.49	77.21	20	2-284513-0
74.68	73.40	19	1-284513-9
70.87	69.59	18	1-284513-8
67.06	65.78	17	1-284513-7
63.25	61.97	16	1-284513-6
59.44	58.16	15	1-284513-5
55.63	54.35	14	1-284513-4
51.82	50.54	13	1-284513-3
48.01	46.73	12	1-284513-2
44.20	42.92	11	1-284513-1
40.39	39.11	10	1-284513-0
36.58	35.30	9	284513-9
32.77	31.49	8	284513-8
28.96	27.68	7	284513-7
25.15	23.87	6	284513-6
21.34	20.06	5	284513-5
17.53	16.25	4	284513-4
13.72	12.44	3	284513-3
9.91	8.63	2	284513-2

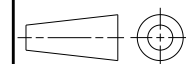
B	A	NO OF POS	PART NUMBER
---	---	-----------	-------------



RECOMMENDED PC BOARD LAYOUT

THIS DRAWING IS A CONTROLLED DOCUMENT.

DIMENSIONS:
mm



MATERIAL



TOLERANCES UNLESS OTHERWISE SPECIFIED:

0 PLC	±
1 PLC	±.3
2 PLC	±.25
3 PLC	±
4 PLC	±
ANGLES	±2

FINISH



DWN 06FEB2002

E. ZANOLINI

CHK 06FEB2002

E. ZANOLINI

APVD 06FEB2002

D. BIEVENOUR

PRODUCT SPEC

108-20166

APPLICATION SPEC

114-20079

WEIGHT

-

CUSTOMER DRAWING

STE TE Connectivity

NAME
 TERMINAL BLOCK, HEADER ASSEMBLY
 90 DEGREES, CLOSED ENDS
 3.81mm PITCH

SIZE	CAGE CODE	DRAWING NO	RESTRICTED TO
------	-----------	------------	---------------

A3	00779	C-284513	-
----	-------	----------	---

SCALE	SHEET	OF	REV
-------	-------	----	-----

4:1	1	1	CI
-----	---	---	----